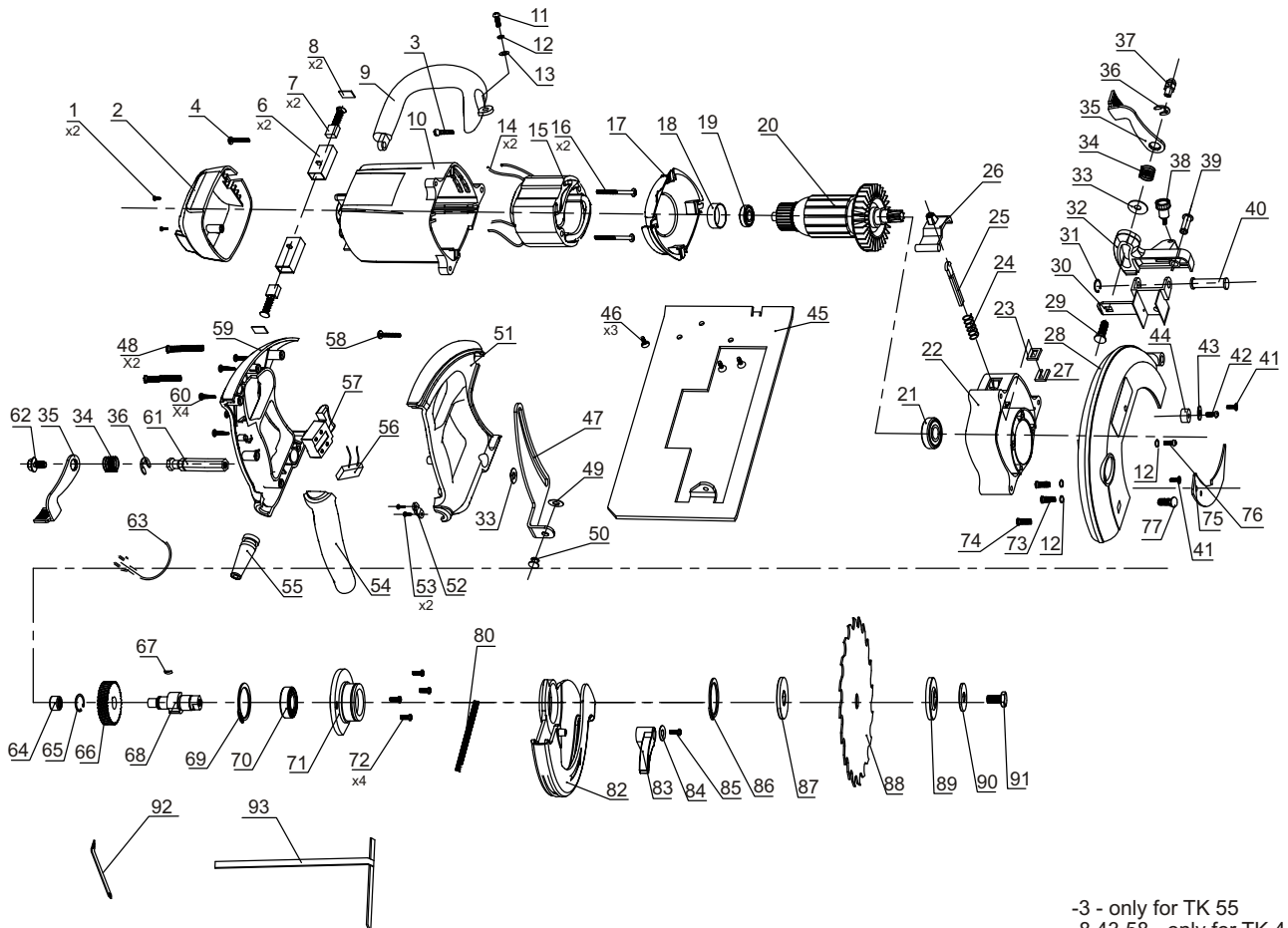


POS. No.	Ref. No.	Description	POS. No.	Ref. No.	Description
----------	----------	-------------	----------	----------	-------------

- 1 186027 SCREW /ST4.2x16/ C53421620R
- 2 186028 REAR COVER/ H9310029PO
- 3 186034 ROUND-HEADED SCREW /M5x25
- 4 186030 SCREW /ST4.8x18
- 6 186069 BRUSH HOLDER/ G530004000
- 7 186029 CARBON BRUSH/ G406110020
- 9 186032 AUXILIARY HANDLE/ H9A1001740
- 10 186033 MOTOR HOUSING/ H9110089N0
- 11 186035 ROUND-HEADED SCREW/M5x18
- 12 186036 SPRING WASHER/ C41051320R
- 13 185948 FLAT WASHER 5/ C43050120R
- 14 186031 LUG/ G370005010
- 15 186037 STATOR/ GM9100220R
- 16 186038 SCREW ST4.8x70/ C51487021R
- 17 186039 WIND SHIELD/ H921008000
- 18 185953 BEARING SLEEVE/ H001001000
- 19 185954 BEARING 607-2Z/ E12060700R
- 20 186040 ROTOR/ GM9200220R
- 21 185956 BEARING 6000/ E12600000R
- 22 186041 FRAME/ M910007320
- 23 185958 SMALL SQUARE LUMP/ C400007210
- 24 185959 SPRING/ Z000004200
- 25 186042 SELF-LOCKING FLAKE/ I950004220
- 26 185961 SELF-LOCKING BUTTON/ H9H1001000/
- 27 185962 FELT/ D340001000
- 28 186043 FIXED GUARD/ M920006320
- 29 186044 SQUAR NECK SCREW/M8x26/ C70000L20R
- 30 186045 CUTTING ANGLE FRAME/ I930008220
- 31 185966 CIRCLIP/ C04081020R
- 32 185967 CUTTING ANGLE SUPPORT/ M940001320/
- 33 185968 WASHER/8x17x1.5/ C43081521R
- 34 185969 SPRING/ Z000005200
- 35 186046 WRENCH/ I9A0002220
- 36 186047 CIRCLIP/ C04122020R
- 37 185972 SPECIAL NUT M8/ C30000122R
- 38 185973 PARALLEL GUIDE SCREW M6/ /H9D1002000
- 39 185974 RIVET 8x20/ C11082021R
- 40 185975 CYLINDRICAL PIN 12x8x49/ C200008110/
- 41 186048 FLAT-HEADED SCREW/M5x12/ C62051221R
- 42 185977 ROUND-HEADED SCREW M6x16/ C61061620R
- 44 186049 FIXED LUMP/ H9F1004000
- 45 186053 BASE/ I910006010
- 46 186054 FLAT-HEADED SCREW M5X10/ C62051021R
- 47 186055 DEPTH SCALE/ I920007220
- 48 186000 SCREW ST M5x55/ C61055520R
- 49 186056 WASHER 8x17x1.5/ C43081521R

- 50 185989 RIVET 8x11/ C11081121R
- 51 186057 RIGHT HANDLE/ H98100A00R
- 52 185992 CORD ANCHORAGE H000001000
- 53 186058 SCREW ST4.2x14/ C53421420R
- 54 186059 SOFT LEATHER/ H9620029PO
- 55 185995 CORD SLEEVE/ H002003000
- 56 186060 CAPACITANCE/ G612209000
- 57 185997 SWITCH/ G12000E000
- 59 186061 LEFT HANDLE/ H97100A00R
- 60 186027 SCREW /ST4.2x16/ C53421620R
- 61 186001 LOCKING LEVER/ I9C0001210
- 62 186002 HEX HEAD SCREW/M8x15/ C73081520R
- 63 186063 POWER CORD/ G22001K000
- 64 186004 NEEDLE BEARING/14x8x8/ E22080800R
- 65 186005 CIRCLIP/ C04122020R
- 66 186006 GEAR/ K920001120
- 67 186007 HALF-CIRCULAR KEY 3x10
- 68 186008 OUTPUT SPINDLE/ J910005110
- 69 186009 CIRCLIP/ C02351020R
- 70 186010 BEARING/6003-2Z/ E12600300R
- 71 186064 FRONT COVER M930006100
- 72 186065 FLAT HEADED SCREW M4x12/ C62041221R
- 73 185983 ROUND-HEADED SCREW M5x16/ C61051620R
- 74 186052 ROUND-HEADED SCREW M4x16/ C61041620R
- 75 186051 RIVING KNIFE/ I960005220
- 76 186050 ROUND-HEADED SCREW/M5x14/ C61051420R
- 77 185981 SQUARE NECK SCREW M8x20/ C71082020R
- 80 186013 OFFSETTING SPRING/ Z010005200
- 82 186066 MOVABLE GUARD/ M96000G320
- 83 186015 MOVABLE GUARD SPANNER/ H9C1007000
- 84 186016 FLAT WASHER/ 6x14x1.5/ C44061520R
- 85 186017 FLAT-HEADED SCREW/M5x10/ C62051020R
- 86 186018 CIRCLIP/ C04422020R
- 87 186067 LOWER FLANGE/ Z100010200
- 88 186068 SAW BLADE/ F101002010
- 89 186021 UPPER FLANGE/ Z110002200
- 90 186184 WASHER/8x24x2/ C44080221R
- 91 186023 HEXAGONAL SCREW /M8x18/ C73081820R
- 92 186024 SPANNER/ F204001200
- 93 186025 GUIDE/ I990003400
- 91 186002 HEX HEAD SCREW/M8x15/ C73081520R
- 92 186024 SPANNER/ F204001200
- 93 186025 GUIDE/ I990003400



-3 - only for TK 55
 -8,43,58 - only for TK 4